

B3Round 6036

Model number: 410006

Dimensions: 60" x 36" x 4"

Installation:

Material: Acrylic



Standard Features:

- Acrylic rectangular base with round drain
- Smooth floor
- Right, left, end or center drain
- Drain not included
- 3" threshold base

Product characteristics:

- Utile Compatible
- Low Threshold
- Smooth Floor

Warranty:

25 Years

Standard colors:



Certifications

MAAX products adhere to one or more of the following certifications:



Recommended products (Visit our website for a complete list of our recommended products)

No	Description
134565	Kameleon Sliding Shower Door 55-59 x 71 in. 6 mm
136272	Duel Sliding Shower Door 56-59 x 70 ½-74 in. 8 mm
136672	Reveal 71 Pivot Shower Door 56-59 x 71 ½ in. 8 mm

Options (Visit our website for a complete list of our options)

No	Description
<input type="checkbox"/> OPT 20208	PVC drain
<input type="checkbox"/> OPT 20253	ABS drain
<input type="checkbox"/> OPT 20254	PVC drain

B3Round 6036

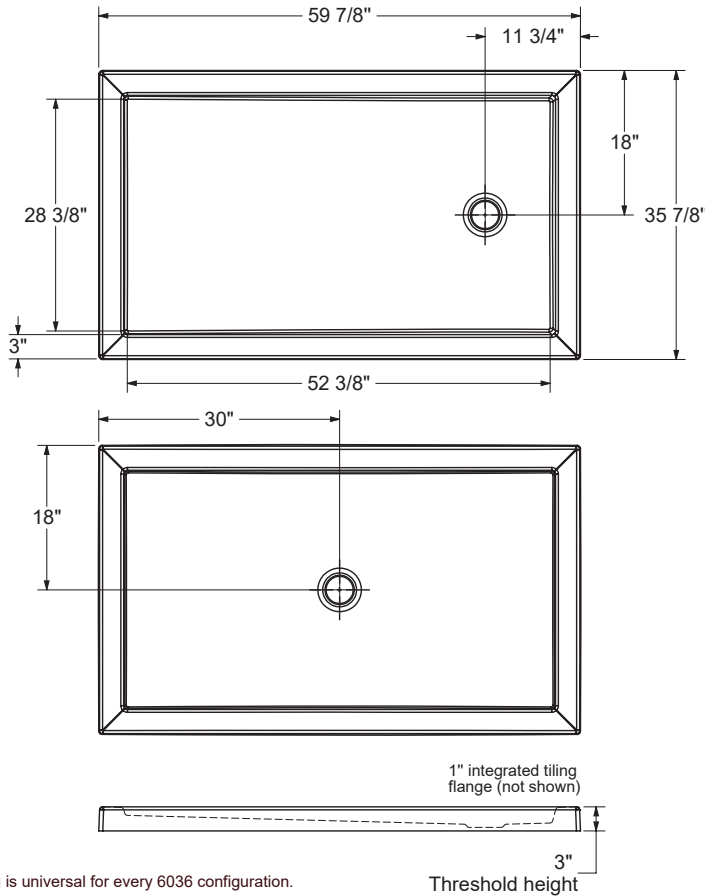
Model number:

410006

Dimensions: 60" x 36" x 4"

Installation:

Material: Acrylic



Dimensions:

59 7/8 x 35 7/8 x 4 in.
(1521 x 911 x 102 mm)

Weight:

62 lbs (28 kg)

Shape:

Rectangular

Drain location:

Center

Back End

Left

Right

This technical drawing is universal for every 6036 configuration.

Integrated tiling flange : 1" height x 1/4" thick (not shown)
Tiling flange position is determined by chosen configuration.

All dimensions are approximate. Structure measurements must be verified against the unit to ensure proper fit.

Project:

Contractor:

Representative:

Date:

Tel:

Notes: